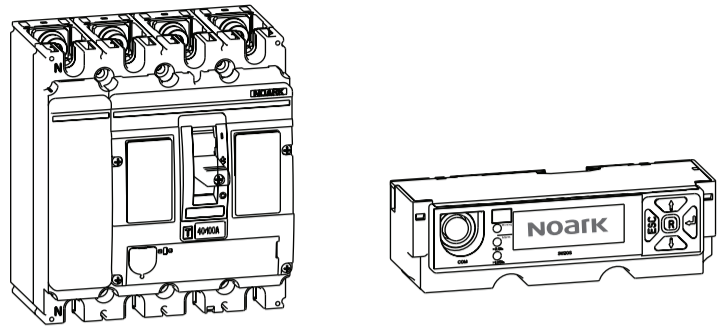
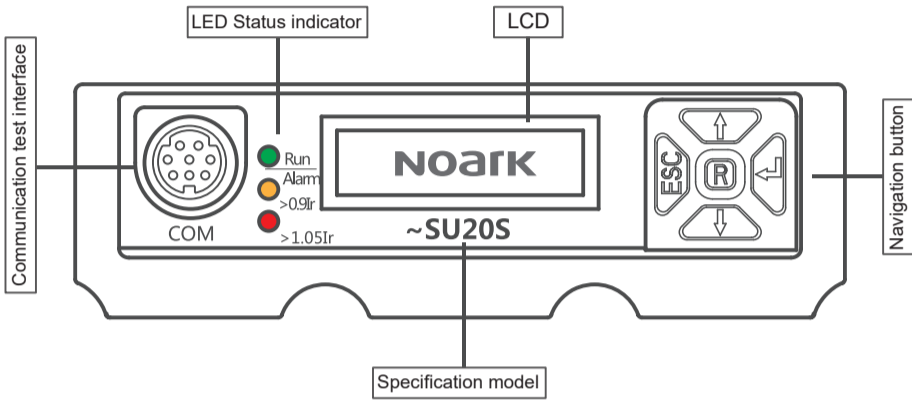


Ex9M Electronic Moulded Case Circuit Breaker



NOARK

A Operation panel



Note*: SU20S is unit for power distribution

B Communication test interface

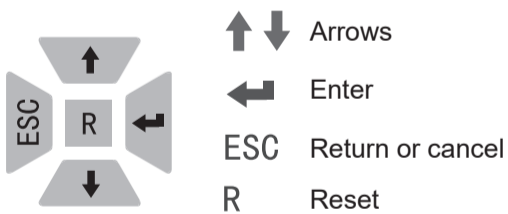


Communication test interface for external power supply, commissioning, monitoring and maintenance purposes.

C LED Status indicator

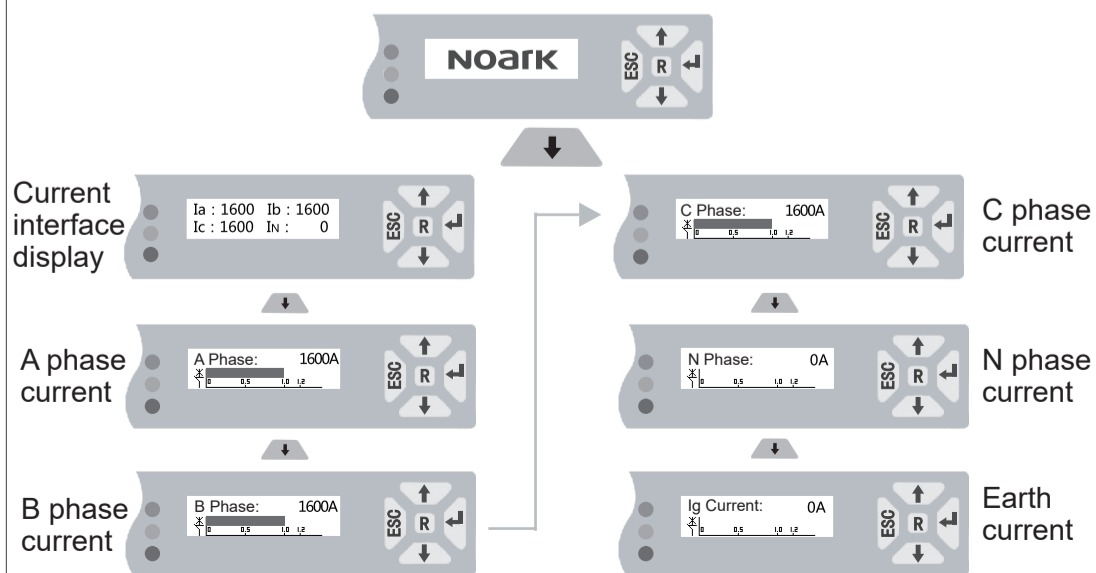
- **Run** Working = green flashing
- **Alarm** Error = OFF
- **>0.9Ir** $I \geq 90\%I_r$ = yellow
 $I < 90\%I_r$ = OFF
- **>1.05Ir** $I \geq 105\%I_r$ = red
 $I < 105\%I_r$ = OFF

D Navigation button

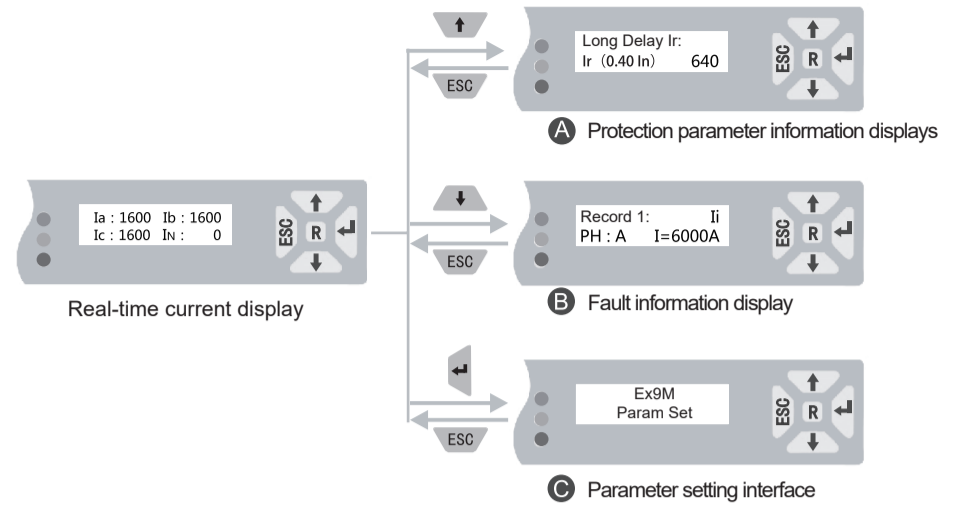


E Real-time current cycle display

The current cycle display will automatically show real time current all the poles changing automatically the pole displayed.

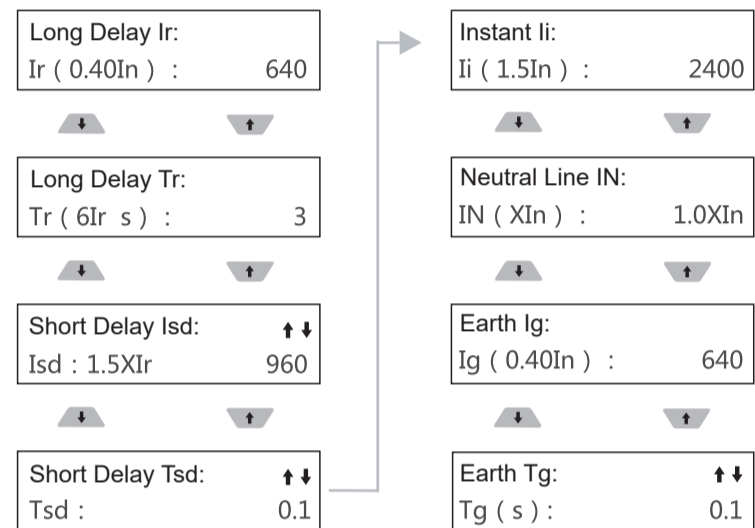


F Main menu



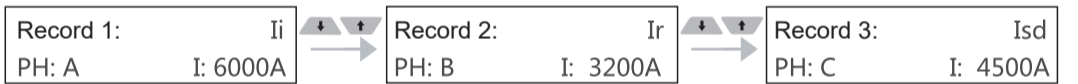
F-A SU2S Power protection parameter inquiry

Press the \uparrow key in the current cycle display to see the actual parameter settings.
Press the ESC key to return.

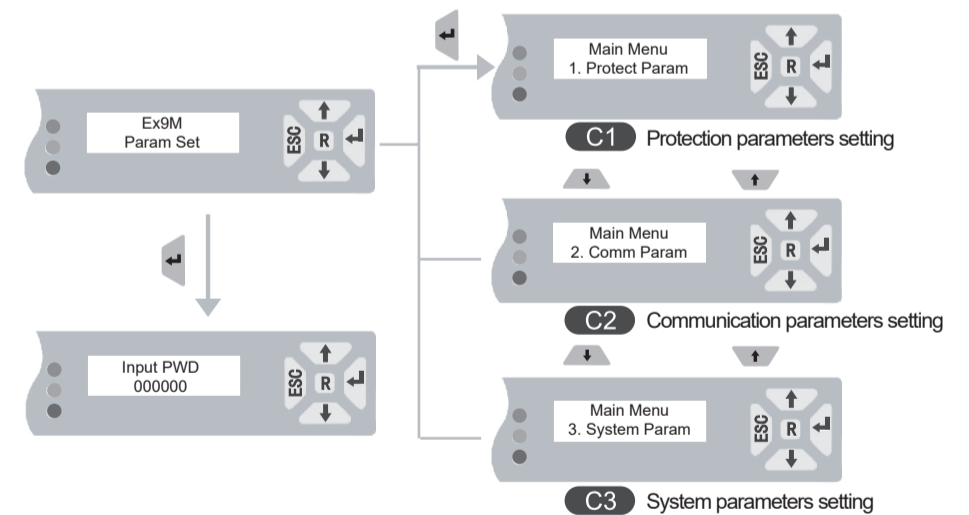


F-B Fault information inquiry

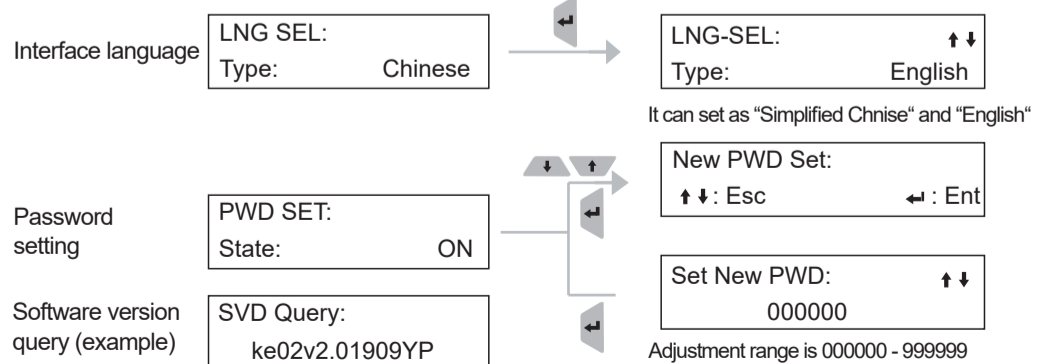
Press the \leftarrow key in the current cycle display to see the last 3 faults record.
Visible faults are: Long-time delay fault, short-time delay fault, instantaneous fault, ground fault.
Press the ESC key to return.



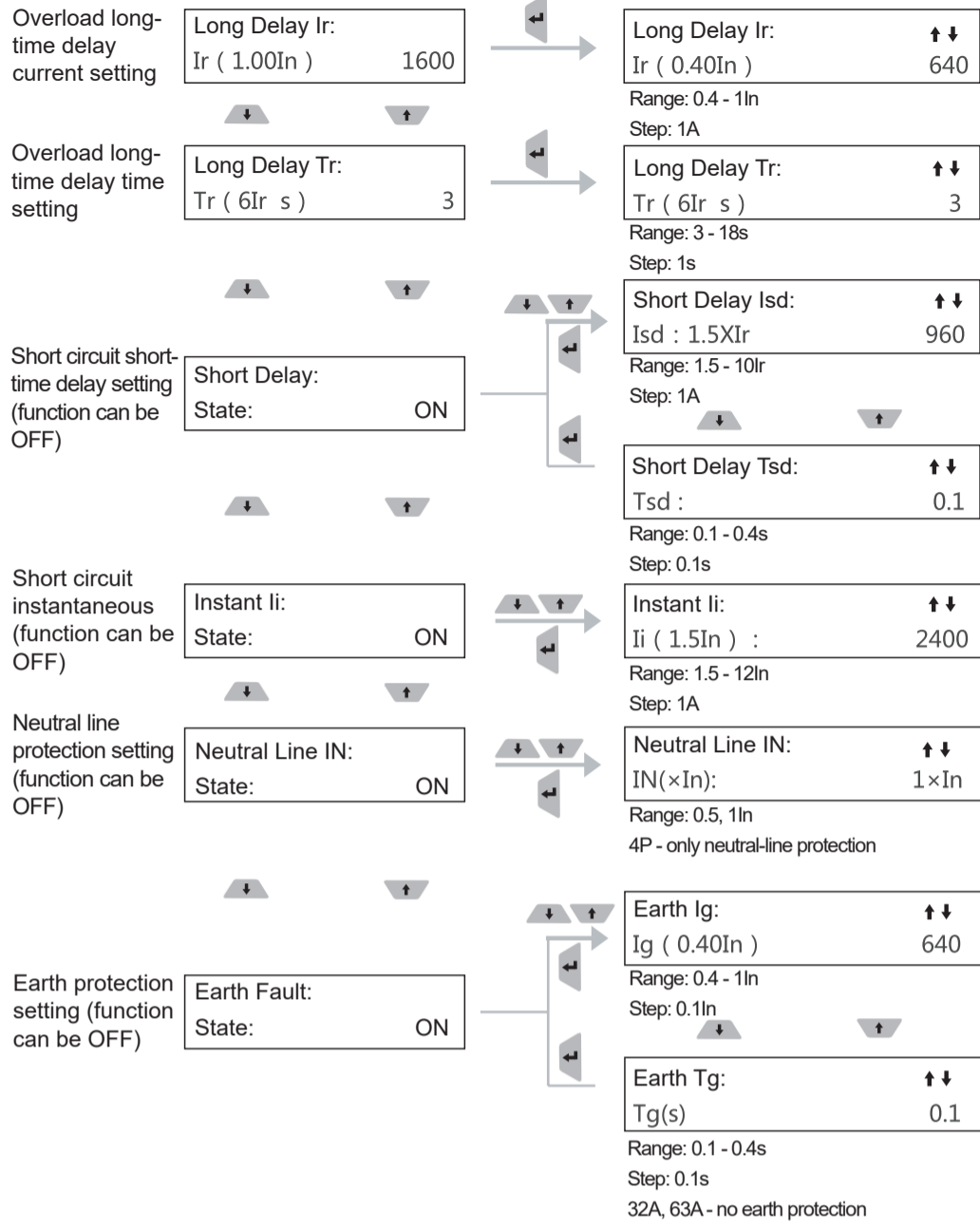
F-C Parameter setting



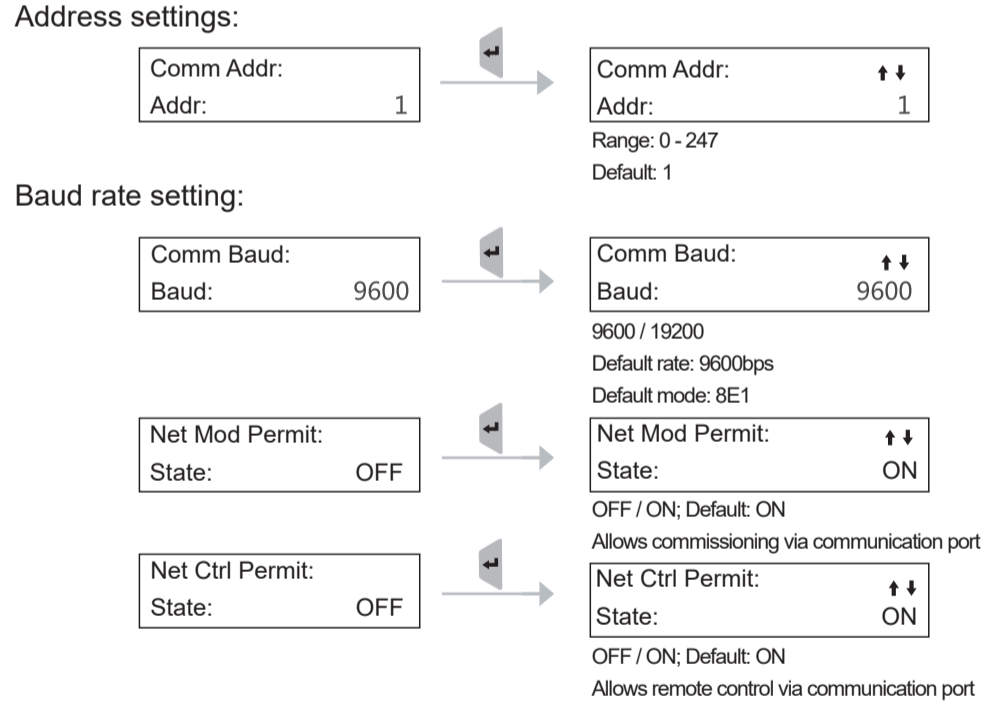
F-C3 System parameter setting



F-C1 SU20S Protection parameter setting



F-C2 Communication parameter setting



G Notes

1. The power of the SU20S is dependant on the consumed currents, with current consumptions $\geq 0.4 I_n$ the device will operate normally
2. For off-load commissioning, an external dedicated battery box or a handheld test unit (HTU) may be used.

H Navigation map

